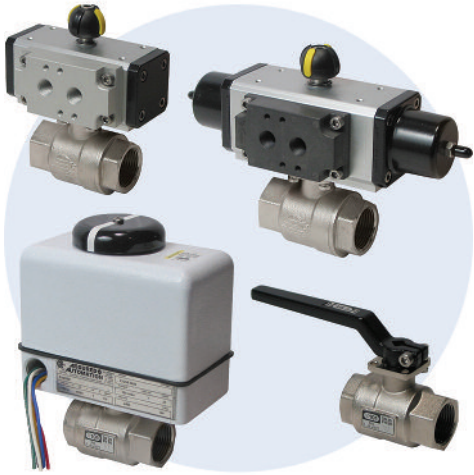


# 101 Series

## Nickel Plated Brass 2-way Full Port Ball Valve



The 101 is a full port, nickel plated brass, NPT threaded end actuated ball valve. It can be equipped with a manual handle or with direct mount pneumatic or electric actuators. The direct mount actuators eliminate the valve-actuator mounting kit, which adds unnecessary height and expense.

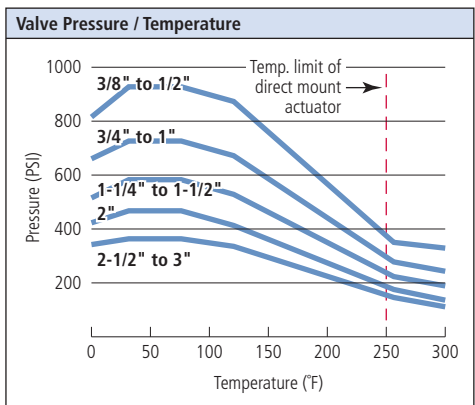
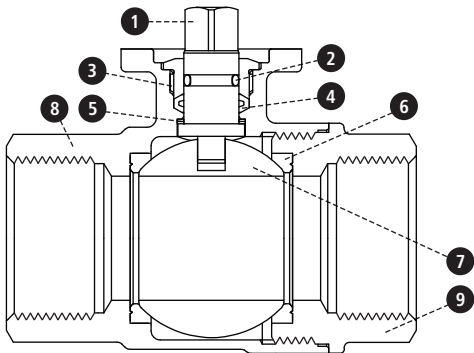
A full range of accessory items are available including limit switches, solenoid valves, positioners and manual override devices.

### FEATURES

- Actuated electrically, pneumatically, or manually.
- Full Port for unobstructed flow.
- 2-piece body.
- Integrated mounting pad for actuators.
- Compact assembly.
- Complete line of accessories.

### TYPICAL APPLICATIONS

- Air drying equipment.
- Pollution control equipment.
- Process control applications.
- Laundry equipment.
- Textile dyeing and drying.
- Bottling and dispensing equipment.



### ACTUATOR CONFIGURATIONS

- Electric.
- Pneumatic (spring return).
- Pneumatic (double acting).
- Manual handle.

### PRESSURE RANGE

- 29 inHg vacuum to 900 PSI: 3/8" to 1/2"
- 29 inHg vacuum to 700 PSI: 3/4" to 1"
- 29 inHg vacuum to 525 PSI: 1-1/4" to 1-1/2"
- 29 inHg vacuum to 400 PSI: 2"
- 29 inHg vacuum to 350 PSI: 2-1/2" to 3"

### TEMPERATURE RANGE

-4°F to 300°F

### MATERIALS OF CONSTRUCTION

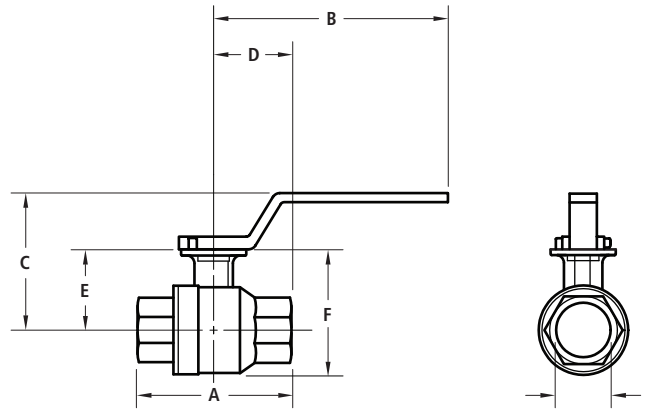
Part	Qty.	Description	Standard Material
1	1	Shaft	Brass
2	1	O-Ring	FKM
3	1	Gland Nut	Brass
4	1	Shaft Seal	PTFE
5	2	Antifriction Rings	PTFE
6	2	Seals	PTFE
7	1	Ball	Chromium Plated Brass
8	1	Body	Nickel Plated Brass
9	1	End Cap	Nickel Plated Brass

### CV FACTORS

Size	CV
3/8"	13
1/2"	23
3/4"	70
1"	117
1-1/4"	152
1-1/2"	199
2"	328
3"	901

# 101NXM Series

Nickel plated brass 2-way full port ball valve with manual handle  
(Threaded end connection, 2 piece body)



## DIMENSIONS, WEIGHTS & SPECIFICATIONS

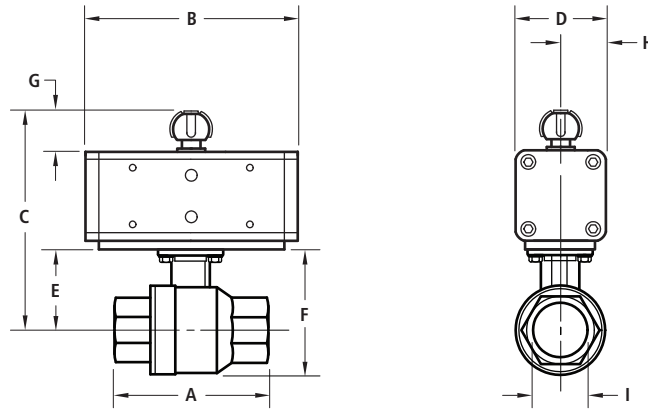
Size	A	B	C	D	E	F	I	Wt. (lbs.)	Model No.
3/8"	2.45	3.71	2.51	1.22	1.20	1.81	.375	1.2	B101NXM
1/2"	2.45	3.71	2.66	1.22	1.20	1.81	.500	1.2	C101NXM
3/4"	2.69	5.07	3.09	1.34	1.43	2.20	.750	1.4	D101NXM
1"	3.14	5.07	3.28	1.57	1.59	2.50	1.00	2.8	E101NXM
1-1/4"	3.63	5.07	3.78	1.82	2.03	3.18	1.25	3.7	F101NXM
1-1/2"	4.03	5.07	4.10	2.02	2.29	3.63	1.50	5.8	G101NXM
2"	4.58	5.07	4.45	2.29	2.58	4.24	2.00	8.8	H101NXM
3"	6.64	9.50	5.72	3.32	3.73	6.14	3.00	12.5	J101NXM

## 101 VALVE FEATURES

- Full port nickel plated brass body and ball.
- PTFE seats and seals.
- NPT threaded end connection.
- Temperature range: -4°F to 300°F.
- Pressure range: 29 inHg vacuum to 900 PSI: 3/8" to 1/2",  
29 inHg vacuum to 700 PSI: 3/4" to 1",  
29 inHg vacuum to 525 PSI: 1-1/4" to 1-1/2",  
29 inHg vacuum to 400 PSI: 2",  
29 inHg vacuum to 350 PSI: 2-1/2" to 3".

# 101NXODA Series

Nickel plated brass 2-way full port ball valve with double acting pneumatic actuator  
(Threaded end connection, 2 piece body, actuators are sized for 150 PSI media line pressure)



## DIMENSIONS, WEIGHTS & SPECIFICATIONS

Size	A	B	C	D	E	F	G	H	I	Actuator	Wt. (lbs.)	Model No.
<b>80 psig Minimum Actuator Air Supply = 8D</b>												
3/8"	2.45	2.76	3.47	1.70	1.20	1.81	.59	.85	.375	PD008	1.8	B101NX08D
1/2"	2.45	2.76	3.47	1.70	1.20	1.81	.59	.85	.500	PD008	1.8	C101NX08D
3/4"	2.69	4.53	4.28	1.89	1.43	2.20	.79	.95	.750	PD015	3.1	D101NX08D
1"	3.14	4.53	4.43	1.89	1.59	2.50	.79	.95	1.00	PD015	4.4	E101NX08D
1-1/4"	3.63	5.12	5.18	2.16	2.03	3.18	.79	1.08	1.25	PD030	5.9	F101NX08D
1-1/2"	4.03	5.12	5.43	2.16	2.29	3.63	.79	1.08	1.50	PD030	8.0	G101NX08D
2"	4.58	5.67	5.91	2.36	2.58	4.24	.79	1.18	2.00	PD045	11.6	H101NX08D
3"	6.64	7.24	8.29	3.15	3.73	6.14	1.18	1.57	3.00	PD120	18.7	J101NX08D
<b>60 psig Minimum Actuator Air Supply = 6D</b>												
3/8"	2.45	4.53	3.47	1.89	1.20	1.81	.59	.95	.375	PD015	2.8	B101NX06D
1/2"	2.45	4.53	3.47	1.89	1.20	1.81	.59	.95	.500	PD015	2.8	C101NX06D
3/4"	2.69	5.12	4.28	2.16	1.43	2.20	.79	1.08	.750	PD030	3.7	D101NX06D
1"	3.14	5.12	4.43	2.16	1.59	2.50	.79	1.08	1.00	PD030	5.0	E101NX06D
1-1/4"	3.63	5.12	5.18	2.16	2.03	3.18	.79	1.08	1.25	PD030	6.0	F101NX06D
1-1/2"	4.03	5.12	5.43	2.16	2.29	3.63	.79	1.08	1.50	PD030	8.0	G101NX06D
2"	4.58	5.98	5.91	2.56	2.58	4.24	.79	1.28	2.00	PD060	12.2	H101NX06D
3"	6.64	8.35	8.29	3.54	3.73	6.14	1.18	1.77	3.00	PD180	20.0	J101NX06D

## 101 VALVE FEATURES

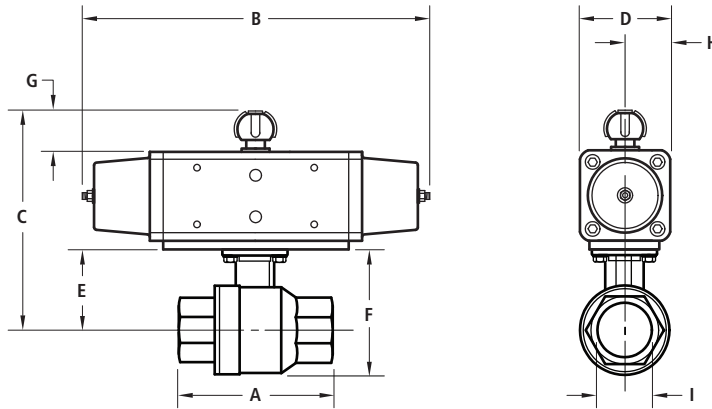
- Full port nickel plated brass body and ball.
- PTFE seats and seals.
- NPT threaded end connection.
- Temperature range: -4°F to 300°F.
- Pressure range: 29 inHg vacuum to 900 PSI: 3/8" to 1/2",  
29 inHg vacuum to 700 PSI: 3/4" to 1",  
29 inHg vacuum to 525 PSI: 1-1/4" to 1-1/2",  
29 inHg vacuum to 400 PSI: 2",  
29 inHg vacuum to 350 PSI: 2-1/2" to 3".

## PNEUMATIC ACTUATOR FEATURES

- O Series double acting pneumatic actuator.
- Corrosion resistant coating.
- NAMUR solenoid mounting pad, ISO 5211 mounting standard.
- Visual position indicators.
- High duty cycle.
- Permanent lubrication.
- Temperature range: -4°F to 175°F.

# 101NXOSR Series

Nickel plated brass 2-way full port ball valve with spring return pneumatic actuator  
(Threaded end connection, 2 piece body, actuators are sized for 150 PSI media line pressure)



## DIMENSIONS, WEIGHTS & SPECIFICATIONS

Size	A	B	C	D	E	F	G	H	I	Actuator	Wt. (lbs.)	Model No.
<b>80 psig Minimum Actuator Air Supply = 85</b>												
3/8"	2.45	8.71	4.43	2.17	1.20	1.81	.59	1.08	.375	PS015	4.1	B101NX08S
1/2"	2.45	8.71	4.43	2.17	1.20	1.81	.59	1.08	.500	PS015	4.1	C101NX08S
3/4"	2.69	8.71	4.66	2.17	1.43	2.20	.79	1.08	.750	PS015	4.3	D101NX08S
1"	3.14	8.71	4.81	2.17	1.59	2.50	.79	1.08	1.00	PS015	5.7	E101NX08S
1-1/4"	3.63	9.45	5.57	2.56	2.03	3.18	.79	1.28	1.25	PS030	8.1	F101NX08S
1-1/2"	4.03	9.45	5.82	2.56	2.29	3.63	.79	1.28	1.50	PS030	10.2	G101NX08S
2"	4.58	11.58	6.42	2.83	2.58	4.24	.79	1.41	2.00	PS045	14.1	H101NX08S
3"	6.64	14.65	9.08	3.94	3.73	6.14	1.18	1.97	3.00	PS120	27.2	J101NX08S
<b>60 psig Minimum Actuator Air Supply = 65</b>												
3/8"	2.45	8.71	4.43	2.17	1.20	1.81	.59	1.08	.375	PS015	4.1	B101NX06S
1/2"	2.45	8.71	4.43	2.17	1.20	1.81	.59	1.08	.500	PS015	4.1	C101NX06S
3/4"	2.69	9.45	4.66	2.56	1.43	2.20	.79	1.28	.750	PS030	5.9	D101NX06S
1"	3.14	9.45	4.81	2.56	1.59	2.50	.79	1.28	1.00	PS030	7.2	E101NX06S
1-1/4"	3.63	9.45	5.57	2.56	2.03	3.18	.79	1.28	1.25	PS030	8.1	F101NX06S
1-1/2"	4.03	9.45	5.82	2.56	2.29	3.63	.79	1.28	1.50	PS030	10.2	G101NX06S
2"	4.58	12.60	6.42	3.15	2.58	4.24	.79	1.57	2.00	PS060	16.5	H101NX06S
3"	6.64	17.18	9.08	4.41	3.73	6.14	1.18	2.20	3.00	PS180	33.2	J101NX06S

## 101 VALVE FEATURES

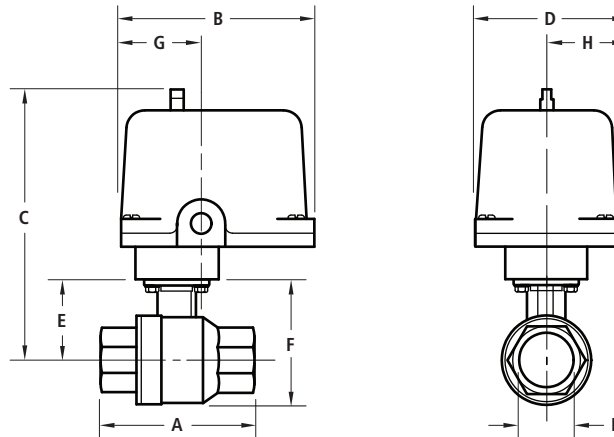
- Full port nickel plated brass body and ball.
- PTFE seats and seals.
- NPT threaded end connection.
- Temperature range: -4°F to 300°F.
- Pressure range: 29 inHg vacuum to 900 PSI: 3/8" to 1/2",  
29 inHg vacuum to 700 PSI: 3/4" to 1",  
29 inHg vacuum to 525 PSI: 1-1/4" to 1-1/2",  
29 inHg vacuum to 400 PSI: 2",  
29 inHg vacuum to 350 PSI: 2-1/2" to 3".

## PNEUMATIC ACTUATOR FEATURES

- O Series spring return pneumatic actuator.
- Corrosion resistant coating.
- NAMUR solenoid mounting pad, ISO 5211 mounting standard.
- Visual position indicators.
- High duty cycle.
- Permanent lubrication.
- Temperature range: -4°F to 175°F.

# 101NXR4 Series

Nickel plated brass 2-way full port ball valve with electric actuator, NEMA 4, 4X  
 (Threaded end connection, 2 piece body, actuators are sized for 150 PSI media line pressure)



## DIMENSIONS, WEIGHTS & SPECIFICATIONS

Size	A	B	C	D	E	F	G	H	I	Actuator	Wt. (lbs.)	Model No.
3/8"	2.45	5.95	7.27	4.40	1.20	1.81	2.48	2.20	.375	R150 (5 sec.)	5.1	B101NXR4⊙
1/2"	2.45	5.95	7.27	4.40	1.20	1.81	2.48	2.20	.500	R150 (5 sec.)	5.2	C101NXR4⊙
3/4"	2.69	5.95	7.50	4.40	1.43	2.20	2.48	2.20	.750	R150 (5 sec.)	5.4	D101NXR4⊙
1"	3.14	5.95	7.66	4.40	1.59	2.50	2.48	2.20	1.00	R150 (5 sec.)	6.8	E101NXR4⊙
1-1/4"	3.63	5.95	8.08	4.40	2.03	3.18	2.48	2.20	1.25	R300 (9 sec.)	9.7	F101NXR4⊙
1-1/2"	4.03	5.95	8.33	4.40	2.29	3.63	2.48	2.20	1.50	R300 (9 sec.)	11.8	G101NXR4⊙
2"	4.58	5.95	8.63	4.40	2.58	4.24	2.48	2.20	2.00	R300 (9 sec.)	14.8	H101NXR4⊙
3"	See V4 Series											

⊙ Voltage: A = 120 VAC; B = 24 VDC; F = 12 VDC.

### 101 VALVE FEATURES

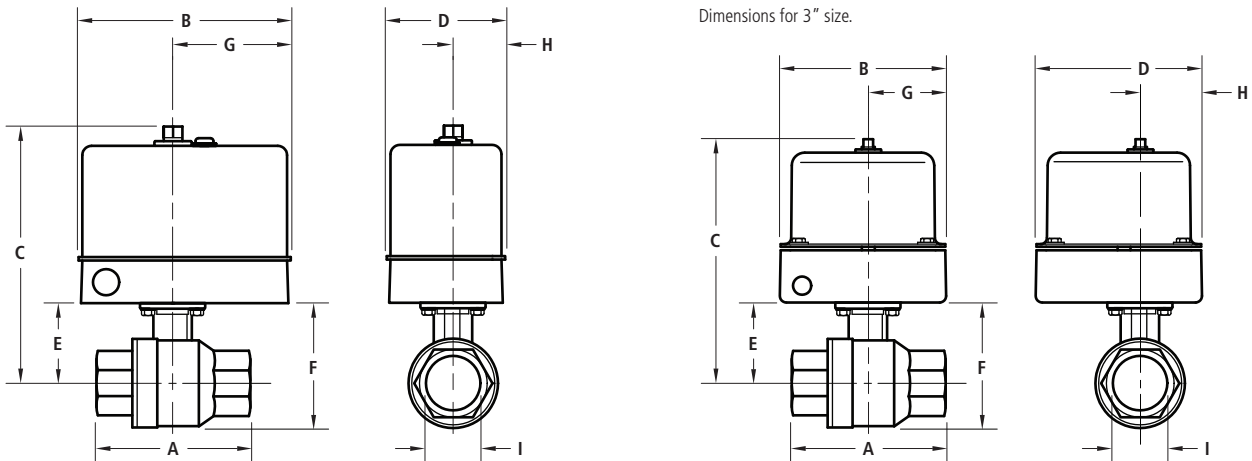
- Full port nickel plated brass body and ball.
- PTFE seats and seals.
- NPT threaded end connection.
- Temperature range: -4°F to 300°F.
- Pressure range: 29 inHg vacuum to 900 PSI: 3/8" to 1/2",  
 29 inHg vacuum to 700 PSI: 3/4" to 1",  
 29 inHg vacuum to 525 PSI: 1-1/4" to 1-1/2",  
 29 inHg vacuum to 400 PSI: 2",  
 29 inHg vacuum to 350 PSI: 2-1/2" to 3".

### ELECTRIC ACTUATOR FEATURES

- R Series electric actuator.
- NEMA 4, 4X.
- Voltages available: 120 VAC, 12 VDC, 24 VDC.
- Duty cycle: 25% at 120 VAC, 100% at DC units.
- ISO 5211 universal mounting.
- Manual override.
- Permanent lubrication.
- Visual position indicator.
- Temperature range: 0°F to 150°F.

# 101NXV4 Series

Nickel plated brass 2-way full port ball valve with electric actuator, NEMA 4, 4X  
 (Threaded end connection, 2 piece body, actuators are sized for 150 PSI media line pressure)



## DIMENSIONS, WEIGHTS & SPECIFICATIONS

Size	A	B	C	D	E	F	G	H	I	Actuator	Wt. (lbs.)	Model No.
3/8"	2.45	5.50	5.43	3.00	1.20	1.81	3.06	1.38	.375	EV1S1V1	6.2	B101NXV4⊙
1/2"	2.45	5.50	5.43	3.00	1.20	1.81	3.06	1.38	.500	EV1S1V1	6.2	C101NXV4⊙
3/4"	2.69	5.50	5.66	3.00	1.43	2.20	3.06	1.38	.750	EV1S1V1	6.4	D101NXV4⊙
1"	3.14	5.50	5.81	3.00	1.59	2.50	3.06	1.38	1.00	EV1S1V1	7.8	E101NXV4⊙
1-1/4"	3.63	5.50	6.26	3.00	2.03	3.18	3.06	1.38	1.25	EV3S2V1	8.7	F101NXV4⊙
1-1/2"	4.03	5.50	6.51	3.00	2.29	3.63	3.06	1.38	1.50	EV3S2V1	10.8	G101NXV4⊙
2"	4.58	5.50	6.81	3.00	2.58	4.24	3.06	1.38	2.00	EV3S2V1	13.8	H101NXV4⊙
3"	6.64	6.43	10.05	6.43	3.73	6.14	3.01	2.36	3.00	NV1KS2V1	23.5	J101NXV4⊙

⊙ Voltage: A = 120 VAC; B = 24 VDC; C = 220 VAC; E = 24 VAC; F = 12 VDC.

## 101 VALVE FEATURES

- Full port nickel plated brass body and ball.
- PTFE seats and seals.
- NPT threaded end connection.
- Temperature range: -4°F to 300°F.
- Pressure range: 29 inHg vacuum to 900 PSI: 3/8" to 1/2",  
 29 inHg vacuum to 700 PSI: 3/4" to 1",  
 29 inHg vacuum to 525 PSI: 1-1/4" to 1-1/2",  
 29 inHg vacuum to 400 PSI: 2",  
 29 inHg vacuum to 350 PSI: 2-1/2" to 3".

## ELECTRIC ACTUATOR FEATURES

- V Series electric actuator.
- NEMA 4, 4X.
- Voltages available: 120 VAC, 220 VAC, 24 VAC, 12 VDC, 24 VDC.
- Duty cycle: 25% at 120 VAC (EV1), 75% at 120 VAC (EV3, NV6),  
 100% at DC units.
- ISO 5211 universal mounting.
- Manual override.
- Permanent lubrication.
- Visual position indicator.
- Temperature range: 0°F to 160°F.