

# 21 Series

## Stainless Steel 2-way Full Port Ball Valve



The 21 series manual ball valves are full port, 316 stainless steel, NPT threaded manual ball valves. They are equipped with a manual handle with a locking device.

### FEATURES

- Full port ball drilling for unrestricted flow.
- Investment cast 2-piece stainless steel body.
- Blow-out proof stem.
- Compact assembly.
- Locking device.

### TYPICAL APPLICATIONS

- Air drying equipment.
- Sterilizers and autoclaves.
- Pollution control equipment.
- Process control applications.
- Laundry equipment.
- Textile dyeing and drying.
- Bottling and dispensing equipment.
- Ink and paint dispensing.

### PRESSURE RANGE

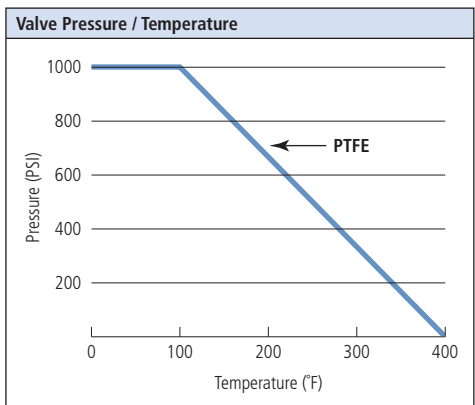
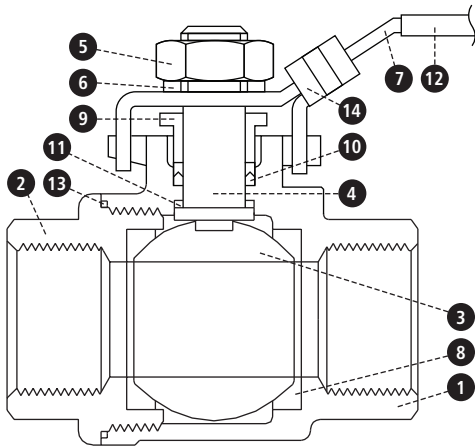
29 inHg vacuum to 1000 PSI (up to 100°F)

### TEMPERATURE RANGE

-20°F to 400°F

### SPECIFICATIONS

**End Connections:**  
NPT threaded (female).



### MATERIALS OF CONSTRUCTION

Part	Qty.	Description	Standard Material
1	1	Body	ATSM A351 Gr. CF8M
2	1	End Cap	ATSM A351 Gr. CF8M
3	1	Ball	316 Stainless Steel
4	1	Stem	316 Stainless Steel
5	1	Stem Nut	304 Stainless Steel
6	1	Stem Washer	304 Stainless Steel
7	1	Handle	304 Stainless Steel
8	2	Seat	PTFE
9	1	Gland Nut	304 Stainless Steel
10	1	Stem Packing	PTFE
11	1	Thrust Washer	PTFE
12	1	Handle Sleeve	Vinyl
13	1	Joint Gasket	PTFE
14	1	Locking Device	304 Stainless Steel

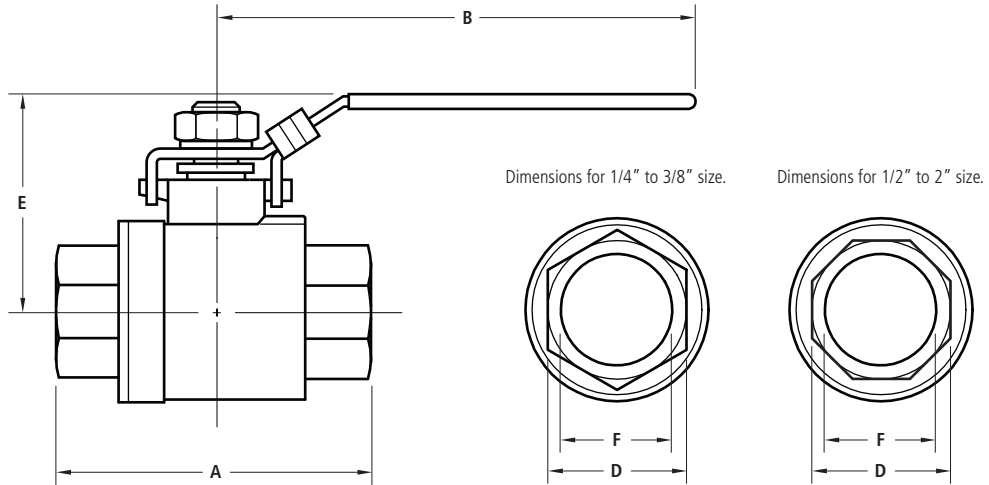
### CV FACTORS

Size	CV
1/4"	13
3/8"	13
1/2"	23
3/4"	70
1"	116
1-1/4"	151
1-1/2"	197
2"	325

# 21 Series

## Stainless Steel 2-way Full Port Ball Valve

(Threaded end connection, 2 piece body)



### DIMENSIONS, WEIGHTS & ADDITIONAL SPECIFICATIONS

Size	DN	A	B	D	E	F	Wt. (lbs.)	Model No.
1/4"	8	1.91	3.90	.83	2.03	.45	.54	A21NPXM
3/8"	10	1.91	3.90	.83	2.03	.49	.54	B21NPXM
1/2"	15	2.20	4.13	1.06	2.09	.59	.74	C21NPXM
3/4"	20	2.56	4.13	1.28	2.20	.79	.98	D21NPXM
1"	25	2.95	4.76	1.57	2.60	.98	1.51	E21NPXM
1-1/4"	32	3.43	5.39	1.89	2.91	1.26	2.38	F21NPXM
1-1/2"	40	3.86	6.30	2.13	3.27	1.50	3.75	G21NPXM
2"	50	4.92	7.48	2.68	3.62	1.97	6.39	H21NPXM