

# EV Series

## Compact Electric Actuator



The Assured Automation EV Series electric actuators offer a simple and cost effective solution for your valve automation needs. For use on quarter turn (90°) ball valves 1/4" to 1" in size. This compact industrial unit has external wire leads eliminating the need to open the unit. Pre-wired power cords are also available.

### FEATURES

- Captive cover bolt. Prevents loss when cover is removed for adjustments.
- Manual override. Stainless Steel with wrench flats for easy manual operation.
- Fine adjust cams allowing 90° to 270° operation.
- Prewired with leads.
- NEMA-4, 4X housing design for superior corrosion resistance.
- Ball bearing support providing greater reliability.
- Heavy duty PSC motor with automatically re-setting thermal protector to prevent overheating.
- High strength gears designed to AGMA standards and able to withstand stall torque conditions.
- 15 A SPDT switches.
- Permanently lubricated gear train.
- ISO 5211 mounting pad.
- 1/2" conduit entry, optional additional entry.

### OPTIONAL FEATURES

- Modulating control board with digital calibration.
- Extra switches.
- 3-position setup to close the valve to a slower flow rate, allowing top off.
- Terminal strips to provide a termination point inside of the housing.
- On-board relays, feedback sensors and timers.
- Heavy duty brake.
- Position indicator.
- Heater and thermostat to prevent condensation buildup and corrosion.
- Sealed leads to prevent moisture ingress.
- Battery backup.
- Control boxes for specific and custom functions.

### EV SERIES MODEL NUMBERING

Model Number: **EV** X X X

Output Torque: \_\_\_\_\_

**1** = 125 in./lb.

**3** = 300 in./lb.

Duty Cycle: \_\_\_\_\_

**S1** = 75%

**S2** = 25%

Supply Voltage: \_\_\_\_\_

**V1** = 115 VAC

**V3** = 230 VAC

**V7** = 24 VAC

**V8** = 12 VDC

**V9** = 24 VDC

### TEMPERATURE RANGE

0°F to 160°F.

### SPECIFICATIONS

**Enclosure:**

NEMA-4X.

**Conduit Connection:**

1/2" NPT.

**Duty Cycle:**

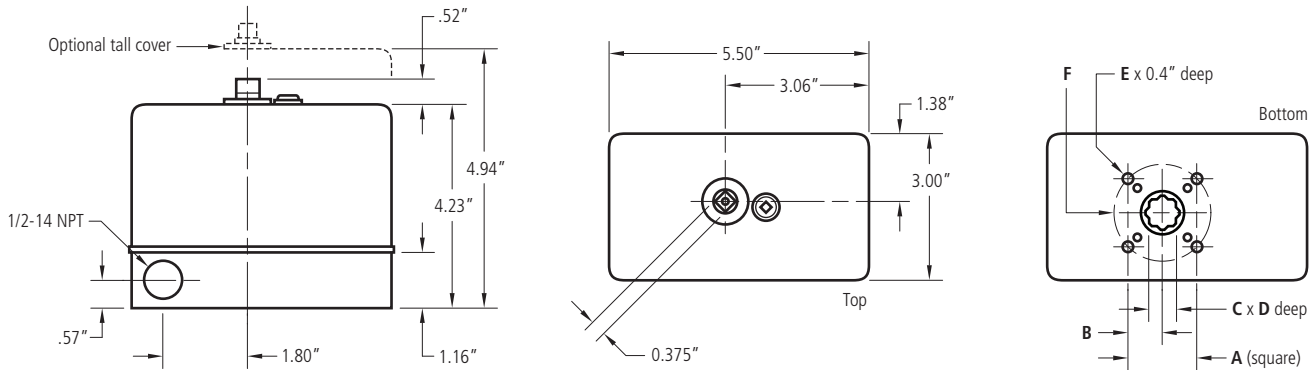
AC Units - 25% (125 in./lb.),

75% (300 in./lb.);

DC Units - 100%.

# EV Series

Compact electric actuator  
(NEMA-4X enclosure)



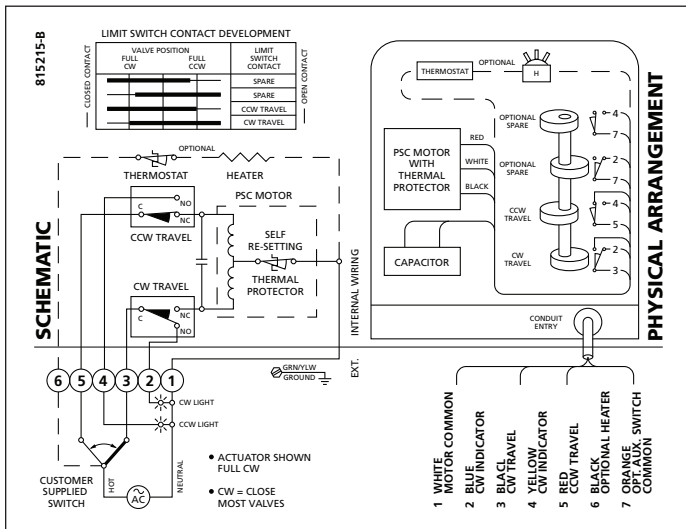
## DIMENSIONS

ISO Pattern	A	B	C	D	E	F
FO3	1.002	0.501	0.354	0.630	M5TAP	1.42
FO4	1.169	0.585	0.433	0.630	M6TAP	1.65
FO5	1.392	0.696	0.551	0.630	M6TAP	1.97

## WEIGHT & SPECIFICATIONS

Output Torque	Speed (sec)					Current Draw (run / full load)					Weight (lbs.)
	24 VAC	115 VAC	230 VAC	12 VDC	24 VDC	24 VAC	115 VAC	230 VAC	12 VDC	24 VDC	
125 in./lb.	3	3	3	3	3	1.6 / 4	0.4 / 0.6	0.3 / 0.5	1.6 / 4	0.9 / 4	5.0
300 in./lb.	6	7	7	6	6	1.6 / 4	0.4 / 0.6	0.3 / 0.5	1.6 / 4	0.9 / 4	5.0

## WIRING DIAGRAM (VAC, Reversible)



## WIRING DIAGRAM (VDC, Reversible)

