

VAX Series

High Pressure 2-way/3-way Coaxial Valve



High pressure coaxial valves are the best choice in process and fluid control and combine performance, economy and availability.

FEATURES

- Compact design.
- NPT end connections.
- Bi-directional.
- Fast actuation.
- High cycle life.
- Maintenance free.
- Limit switches and solenoids available.

TYPICAL APPLICATIONS

- Vacuum and gaseous applications.
- Liquid, gelatinous and highly viscous media.
- High cycle applications.

MATERIALS OF CONSTRUCTION

Seats:
PTFE.

Seals:
FPM.

Body and Piston:
Brass or stainless steel.

VAX SERIES MODEL NUMBERING

Model Number: X VAX X X X X X

Size (NPT): _____
B = 3/8"
C = 1/2"
D = 3/4"
E = 1"
 Material: _____
B = Brass
S = Stainless Steel
 Configuration: _____
2 = 2-way
3 = 3-way (Brass Only)
 Actuator Style: _____
P = Pneumatic
E = Electric
 Fail Position: _____
O = Fail Open (2-way),
 Fail Port A To B (3-way)
C = Fail Closed (2-way),
 Fail Port A To C (3-way)
 Voltage (Electric Only): _____
A = 110 VAC
B = 24 VDC

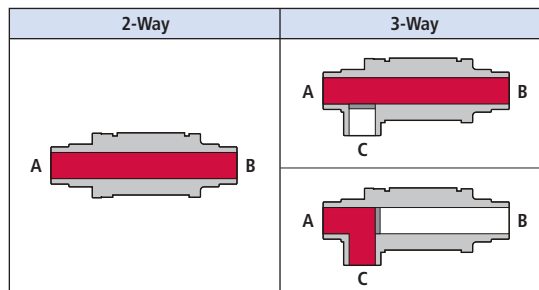
PRESSURE RANGE

29 inHg vacuum to 600 PSI

TEMPERATURE RANGE

-4°F to 140°F

VALVE CONFIGURATIONS

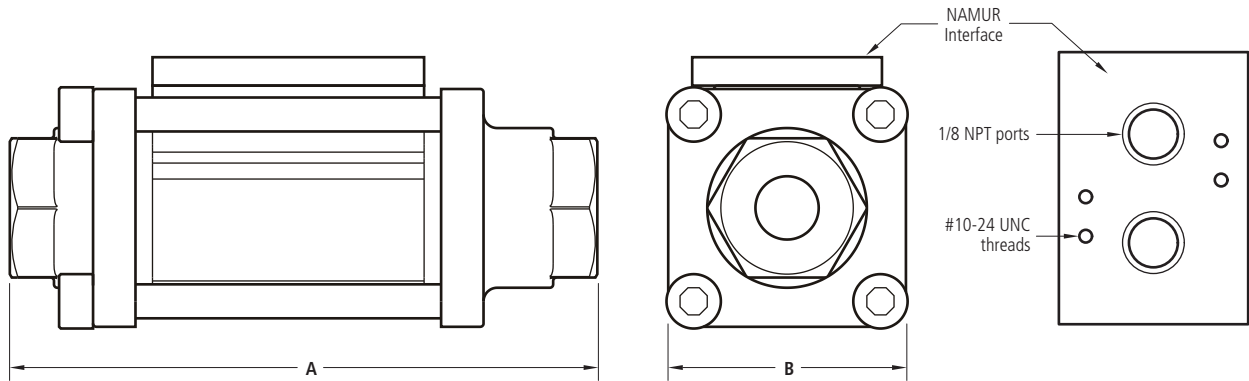


CV FACTORS

Size	CV	
	A to B	A to C
Pneumatic		
3/8"	2.5	2.2
1/2"	6.1	4.5
3/4"	10.8	7.7
1"	15.0	12.7
Electric		
3/8"	2.5	1.8
1/2"	6.0	4.1
3/4"	8.6	6.4
1"	14.0	11.7

VAX Series

High pressure 2-way coaxial valve
(Pneumatic, spring return)



DIMENSIONS, WEIGHTS & SPECIFICATIONS

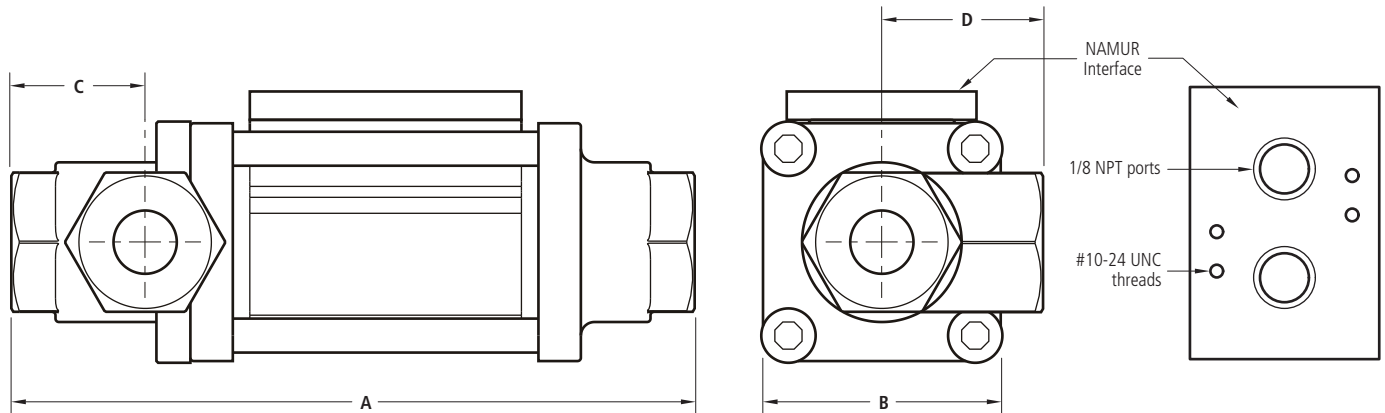
Size	A	B	Actuating Pressure (PSI)	Actuation Time (60 PSI line pressure)		Wt. (lbs.)	Model No.	
				Opening	Closing		Fail Open	Fail Closed
3/8"	5.71	1.97	60-120	30 ms	50 ms	2.87	BVAXS2PO	BVAXS2PC
1/2"	6.81	2.76	60-120	35 ms	60 ms	5.51	CVAXS2PO	CVAXS2PC
3/4"	7.60	3.15	60-120	40 ms	60 ms	8.38	DVAXS2PO	DVAXS2PC
1"	8.35	3.54	60-120	50 ms	70 ms	11.24	EVAXS2PO	EVAXS2PC

VAX VALVE FEATURES

- Compact design.
- Bi-directional.
- Fast actuation.
- High cycle life.
- Maintenance free.
- NAMUR solenoid mounting pad.
- Limit switches and solenoids available.

VAX Series

High pressure 3-way coaxial valve
(Pneumatic, spring return)



DIMENSIONS, WEIGHTS & SPECIFICATIONS

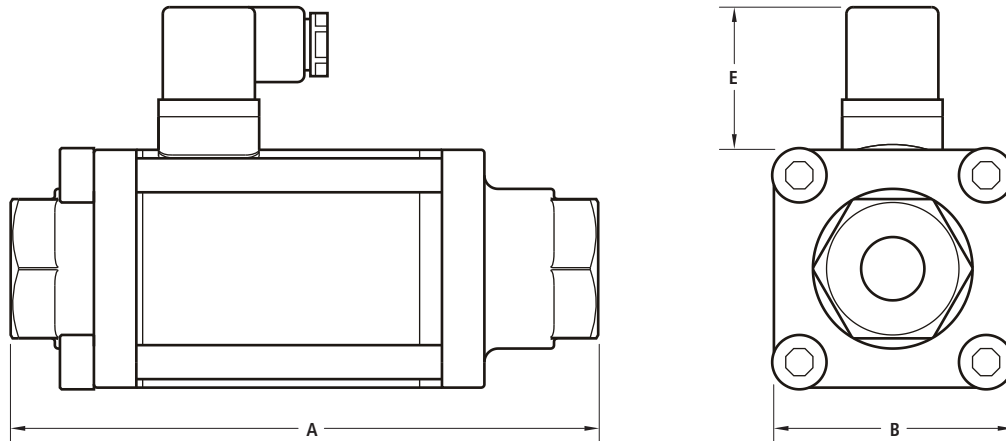
Size	A	B	C	D	Actuating Pressure (PSI)	Actuation Time (60 PSI line pressure)		Wt. (lbs.)	Model No.	
						Opening	Closing		Fail Open	Fail Closed
3/8"	6.54	1.97	1.26	1.46	60-120	30 ms	50 ms	3.31	BVAXB3PO	BVAXB3PC
1/2"	7.87	2.76	1.52	2.36	60-120	35 ms	60 ms	6.61	CVAXB3PO	CVAXB3PC
3/4"	9.02	3.15	1.79	2.83	60-120	40 ms	60 ms	9.70	DVAXB3PO	DVAXB3PC
1"	9.80	3.54	1.89	3.15	60-120	50 ms	70 ms	13.45	EVAXB3PO	EVAXB3PC

VAX VALVE FEATURES

- Compact design.
- Bi-directional.
- Fast actuation.
- High cycle life.
- Maintenance free.
- NAMUR solenoid mounting pad.
- Limit switches and solenoids available.

VAX Series

High pressure 2-way coaxial valve
(Electric, direct acting, spring return)



DIMENSIONS, WEIGHTS & SPECIFICATIONS

Size	A	B	E		Current Consumption		Operating Time		Wt. (lbs.)	Model No.	
			AC	DC	AC	DC	Opening	Closing		Fail A to B	Fail B to A
3/8"	5.71	1.97	1.83	1.58	0.36 A	1.45 A	45 ms	70 ms	3.75	BVAXS2EO	BVAXS2EC
1/2"	6.81	2.76	1.83	1.58	0.41 A	2.1 A	60 ms	130 ms	8.16	CVAXS2EO	CVAXS2EC
3/4"	7.60	3.15	1.83	1.58	0.56 A	2.2 A	105 ms	150 ms	11.90	DVAXS2EO	DVAXS2EC
1"	8.35	3.54	1.83	1.58	0.62 A	2.5 A	150 ms	190 ms	15.65	EVAXS2EO	EVAXS2EC

© Voltage: **A** = 110 VAC; **B** = 24 VDC.

VAX VALVE FEATURES

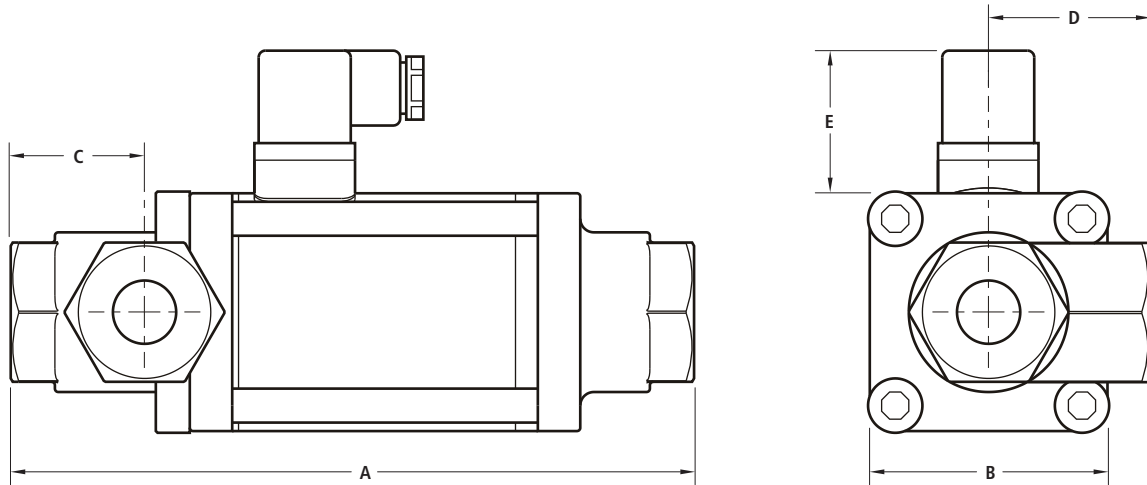
- Compact design.
- Bi-directional.
- Fast actuation.
- High cycle life.
- Maintenance free.
- IP 65 rating.
- Limit switches and solenoids available.

ELECTRIC ACTUATOR FEATURES

- Electrical DIN cord grip connection: PG9, plug acc. DIN EN 175301-803 form A, LED.
- Insulation class H.
- IP 65 enclosure protection.
- Energized duty rating: ED 100%.

VAX Series

High pressure 3-way coaxial valve
(Electric, direct acting, spring return)



DIMENSIONS, WEIGHTS & SPECIFICATIONS

Size	A	B	C	D	E		Current Consumption		Operating Time		Wt. (lbs.)	Model No.	
					AC	DC	AC	DC	Opening	Closing		Fail A to B	Fail B to A
3/8"	6.54	1.97	1.26	1.46	1.83	1.58	0.36 A	1.45 A	45 ms	70 ms	4.41	BVAXB3EO	BVAXB3EC
1/2"	7.87	2.76	1.52	2.36	1.83	1.58	0.41 A	2.1 A	60 ms	130 ms	9.04	CVAXB3EO	CVAXB3EC
3/4"	9.02	3.15	1.79	2.83	1.83	1.58	0.56 A	2.2 A	105 ms	150 ms	13.23	DVAXB3EO	DVAXB3EC
1"	9.80	3.54	1.89	3.15	1.83	1.58	0.62 A	2.5 A	150 ms	190 ms	17.86	EVAXB3EO	EVAXB3EC

© Voltage: **A** = 110 VAC; **B** = 24 VDC.

VAX VALVE FEATURES

- Compact design.
- Bi-directional.
- Fast actuation.
- High cycle life.
- Maintenance free.
- IP 65 rating.
- Limit switches and solenoids available.

ELECTRIC ACTUATOR FEATURES

- Electrical DIN cord grip connection: PG9, plug acc. DIN EN 175301-803 form A, LED.
- Insulation class H.
- IP 65 enclosure protection.
- Energized duty rating: ED 100%.